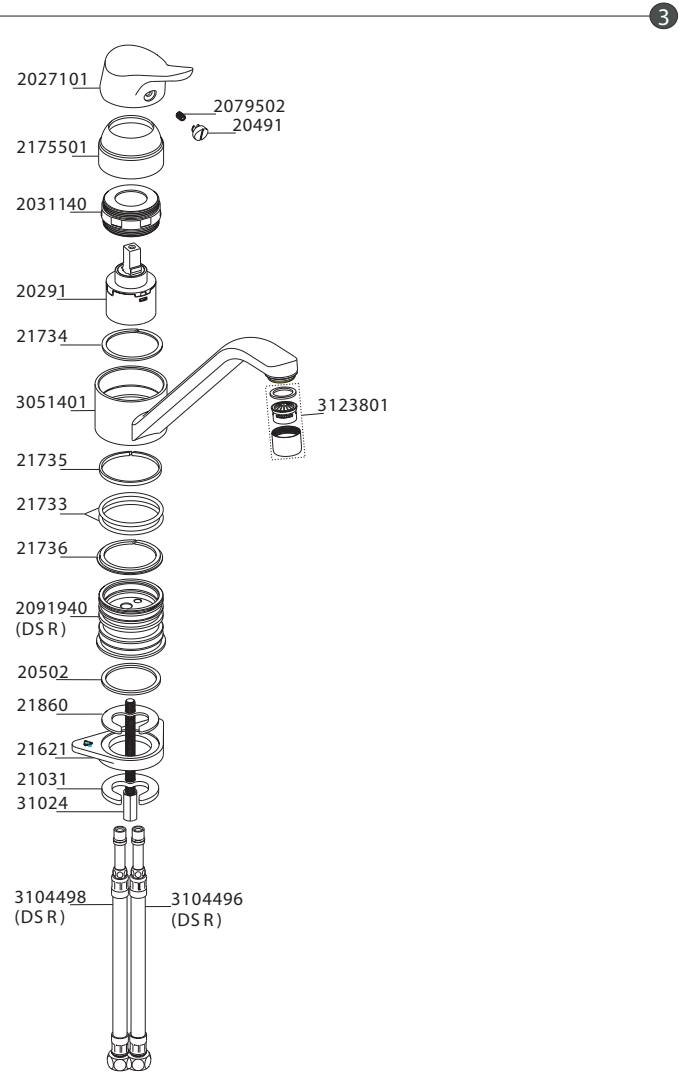
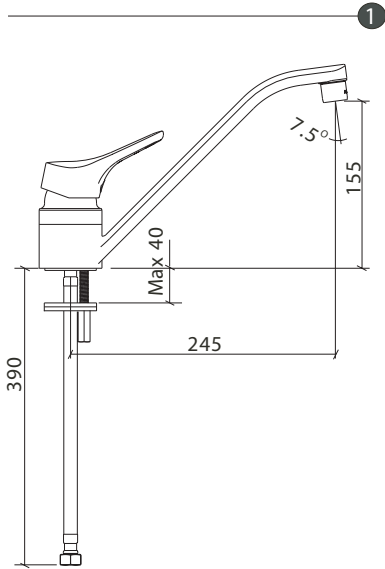


Armix Lux

Description : ARMIX LUX Sink Mixer
 Code No : 40416DSR Chrome
 Cartridge : 40 mm High Pressure Ceramic Disc Cartridge
 Spout Outlet : M 22X1 Aerator
 Temperature : Max. 80 °C
 Information : Luxury contours
 Solid cast swivel spout
 Soft closing, quiet performance



Part No	Part Name	Spare Part No
20291	Cartridge / 40 mm	
20502	Body Seal	
20491	Reference Seal	
21621	Guiding Seal	
21733	O-Ring	
21734	Compression Ring	
21735	Guiding Seal	
21736	Guiding Seal	
21031	Body Fastening Plate	
21860	Fastening Plate Seal	
31024	Group Fastening Stud	
2027101	Armix Lux Control Lever	
2031140	Cartridge Fastening Collar	

Part No	Part Name	Spare Part No
2079502	Screw	
2091940	Inner Body (DSR)	
2175501	Cartridge Cap	
3051401	Combined Body / Sink Mixer	
3104496	Tube / 400 mm (DSR)	
3104498	Tube / 400 mm (DSR)	
3123801	Group Aerator / M22X1	

Part No	Part Name	Spare Part No

ARTEMA Sanitaryware, Tapware & Bathroom Accessories are imported and distributed by Arcorp Pty. Ltd.

